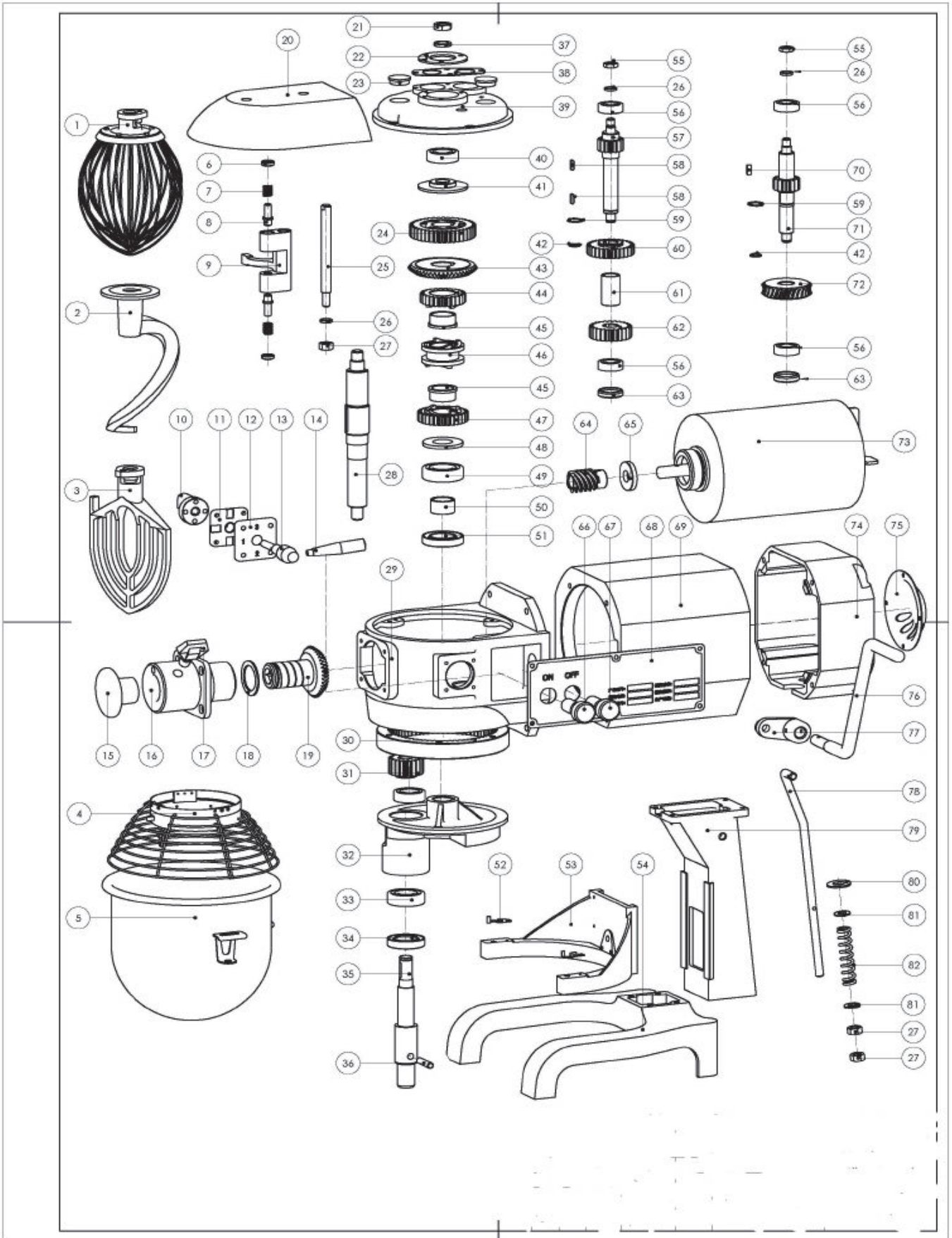


PM20 Parts Diagram



Parts for PM20

Ser. No.	Part No.	Part Name	Ser. No.	Part No.	Part Name
1	40506300	Wire Whip	42	50312002	Circlips for shaft 12
2	40506500	Spiral Dough Hook	43	40507200	Taper Gear Wheel
3	40506200	Flat Beater	44	40501700	Gear
4	40506700	Safety Guard	45	50405041	Bushing
5	50401006	Bowl Assembly	46	40501800	Sleeve
6	50405064	Plunger-Shifter Yoke	47	40502000	Claw Type Gear Wheel
7	50406021	Spring	48	40502100	Ring
8	50405029	Pin Shaft	49	50301007	Bearing 6205
9	40503600	Shifting Yoke	50	40502000	Bushing
10	40502900	Cam-Gear Shifter	51	50310010	Oil Seal 30x52x10
11	40503100	Plate-Shifter Index	52	50405074	Press board
12	50405016	Handle-Shifter Cover	53	50601026	Support
13	40503300	Handle-Shifter	54	50601027	Case
14	40303300	Speed Handle	55	50304018	Nut
15	50405015	Plug	56	50301003	Bearing
16	40507100	Attachment Hub	57	40501100	Mid-gear wheel
17	50405065	Tighten Handle	58	50313013	Key 4*14
18	50405026	Ring	59	50312006	Circlips for shaft 18
19	40506600	Taper Gear Wheel	60	40501000	Gear
20	50403009	Top Cover	61	40500600	Bushing
21	50304020	Nut	62	40500500	Gear
22	50405032	Pressing Plate	63	40503800	Plug Cover
23	40501500	Plug Cover	64	50405025	Worm Pole
24	40503500	Super Machine Parts	65	50310002	Oil Seal
25	50308006	Declutch Shift Shaft	66	50506026	Green Button
26	50304006	Spring Washer 10	67	50506029	Red Button
27	40501400	Nut M10	68	50402024	Brand
28	40502300	Main Shaft	69	40500300	Motor Box
29	40502300	Gear Box	70	50313015	Key 5*14
30	40502400	Internal Gear	71	40500900	Shaft Worm Gear
31	40502700	Gear	72	40500800	Worm Wheel
32	50301006	Operating Shalf	73	50501016	Motor
33	50310008	Bearing	74	4050200	Back Housing
34	50310008	Oil Seal 28x47x10	75	40500100	Back Cover
35	40502800	Working shaft	76	40505600	Handle-Shifter
36	50306030	Retainer-pin 8x35	77	40505400	Crank Lever
37	50308008	Spring washer 14	78	40505200	Connecting Rod
38	50405051	Pressing plate	79	40504100	Stud
39	40500700	Transmission shaft support	80	50307008	Clamp Plate
40	50301005	Bearing 6203	81	50307006	Clamp Plate
41	40501300	Spacer-lower	82	50406005	Spring